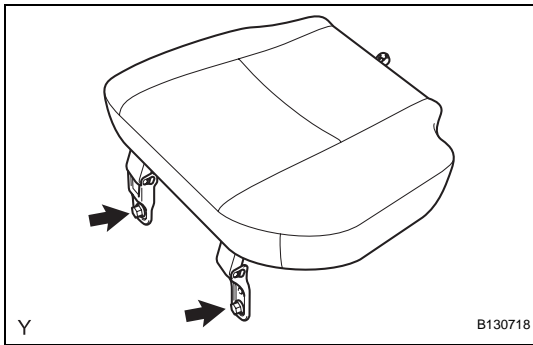
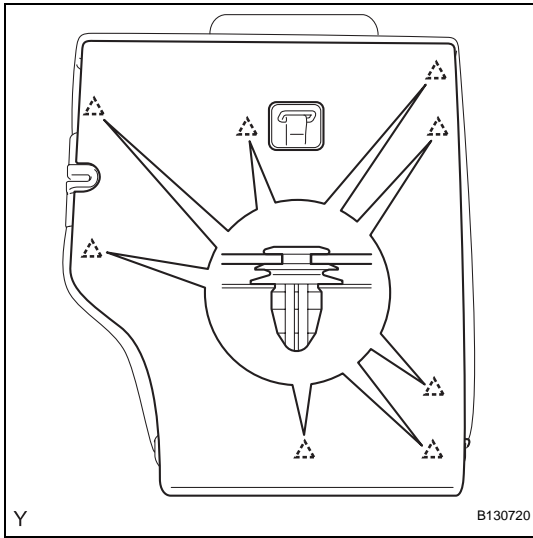


REMOVAL**1. REMOVE REAR SEAT CUSHION ASSEMBLY**

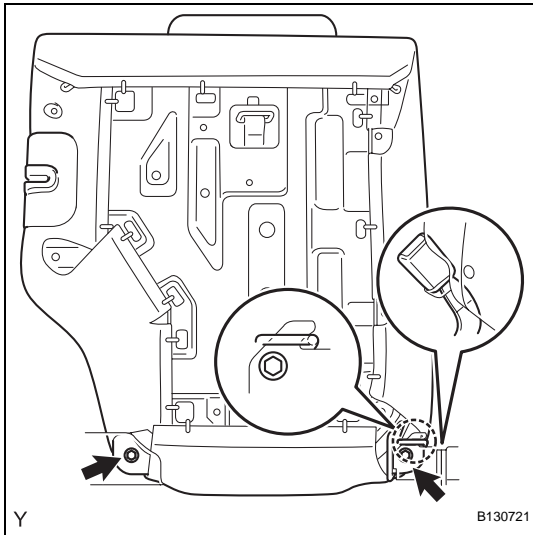
- (a) Remove the 2 bolts and the rear seat cushion.

**2. REMOVE REAR SEATBACK BOARD CARPET ASSEMBLY**

- (a) Pull the rear seatback lock release button and tilt the rear seatback forward.
 (b) Disengage the 8 clips and remove the rear seatback board carpet.

**3. REMOVE REAR SEATBACK ASSEMBLY**

- (a) Remove the rear center seat inner belt from the rear seatback holder.
 (b) Remove the 2 bolts.
 (c) Disengage the hook and remove the rear seatback.



DISASSEMBLY

CAUTION:

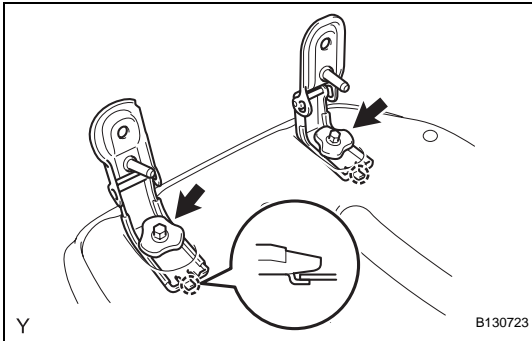
Wear protective gloves. Sharp surfaces on the rear seat cushion frame and the rear seatback frame could cause injuries to your hands.

1. REMOVE REAR SEAT CUSHION HINGE SUB-ASSEMBLY

HINT:

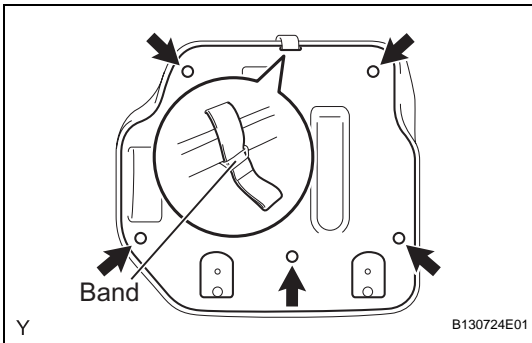
Use the same procedure for both sides.

- (a) Remove the bolt.
- (b) Disengage the hook and remove the rear seat cushion hinge.



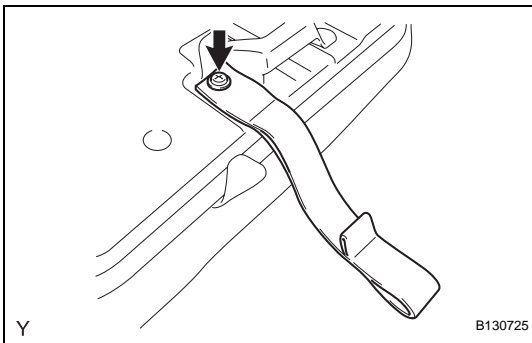
2. REMOVE REAR SEAT CUSHION UNDER COVER

- (a) Remove the rear seat cushion stopper from the rear seat cushion cover band and the slit of the rear seat cushion under cover.
- (b) Using a clip remover, remove the 5 clips and the rear seat cushion under cover.



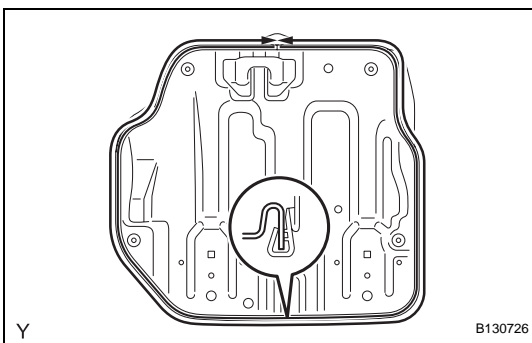
3. REMOVE REAR SEAT CUSHION STOPPER

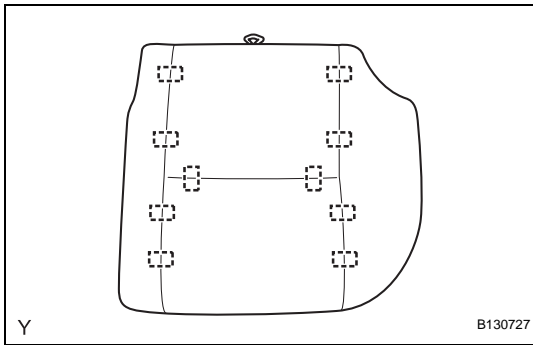
- (a) Remove the screw and the rear seat cushion stopper.



4. REMOVE REAR SEAT CUSHION FRAME SUB-ASSEMBLY

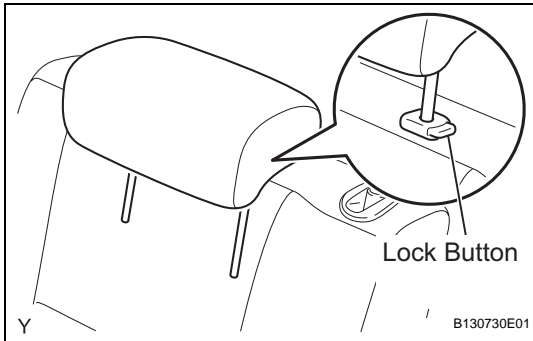
- (a) Disengage the hook and remove the rear seat cushion frame.





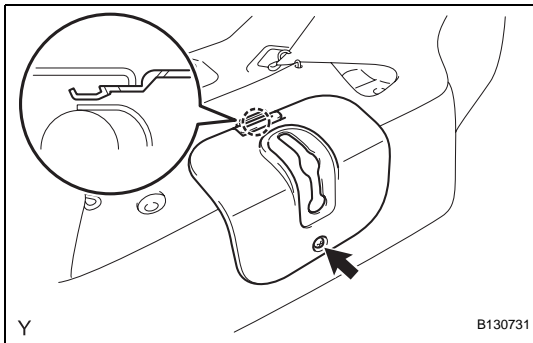
5. REMOVE REAR SEAT CUSHION COVER

- (a) Remove the 10 hog rings and the rear seat cushion cover.



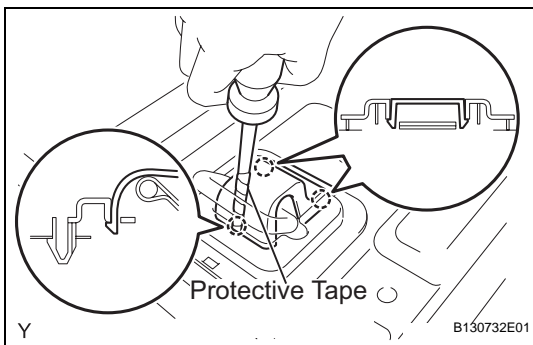
6. REMOVE REAR SEAT HEADREST ASSEMBLY

- (a) Push the lock button of the rear seat headrest support and remove the rear seat headrest.



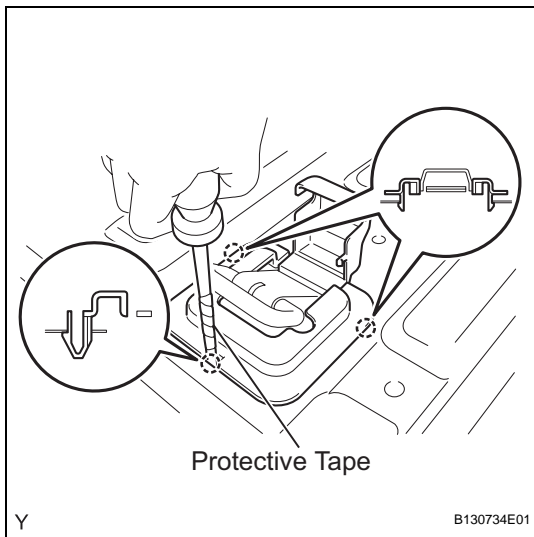
7. REMOVE REAR SEATBACK LOCK COVER

- (a) Remove the screw.
 (b) Disengage the claw and remove the rear seat back lock cover.



8. REMOVE TETHER ANCHOR COVER

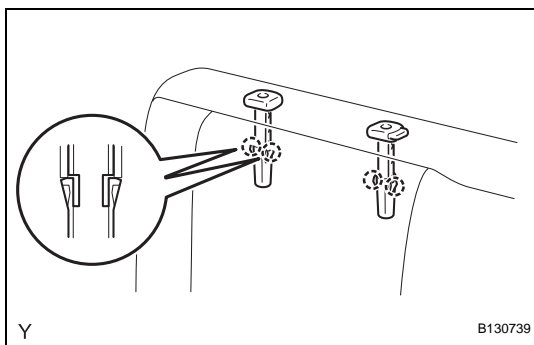
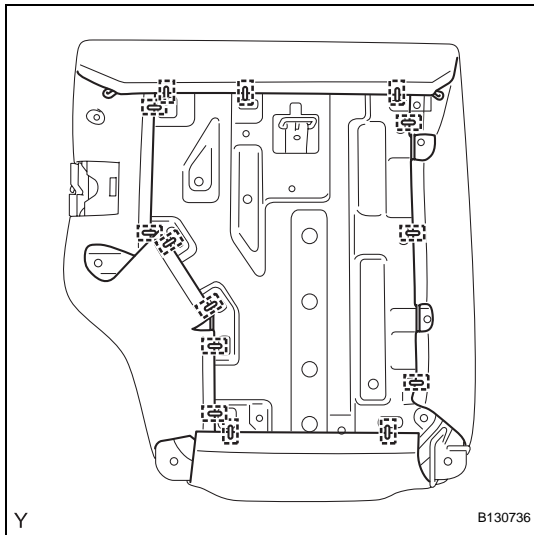
- (a) Using a screwdriver with its tip wrapped in protective tape, disengage the 2 claws and open the cover.



- (b) Using a screwdriver with its tip wrapped in protective tape, disengage the 3 claws and remove the tether anchor cover.

9. REMOVE REAR SEAT HEADREST SUPPORT

- (a) Remove the 14 hog rings.



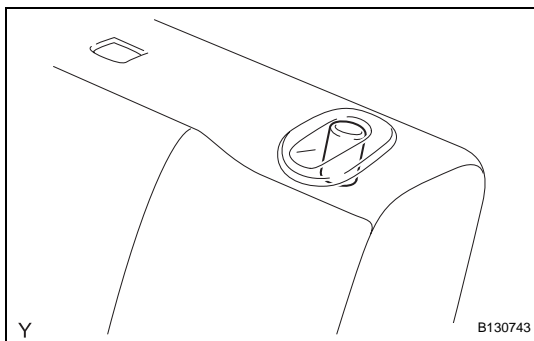
- (b) Disengage the 2 claws and remove the rear seat headrest support.

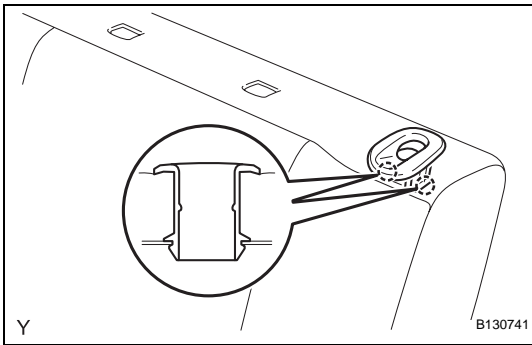
HINT:

Use the same procedure for both sides.

10. REMOVE REAR SEATBACK LOCK RELEASE BUTTON

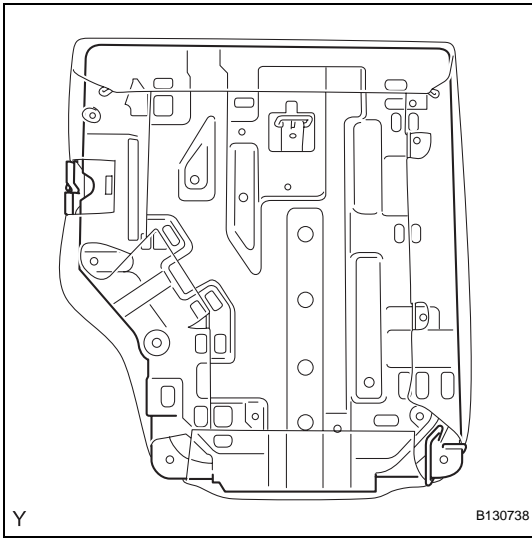
- (a) Remove the rear seatback lock release button.





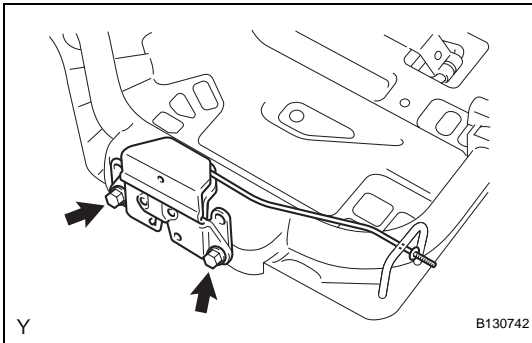
11. REMOVE REAR SEATBACK STOP BUTTON GROMMET

- (a) Disengage the 2 claws and remove the rear seatback stop button grommet.



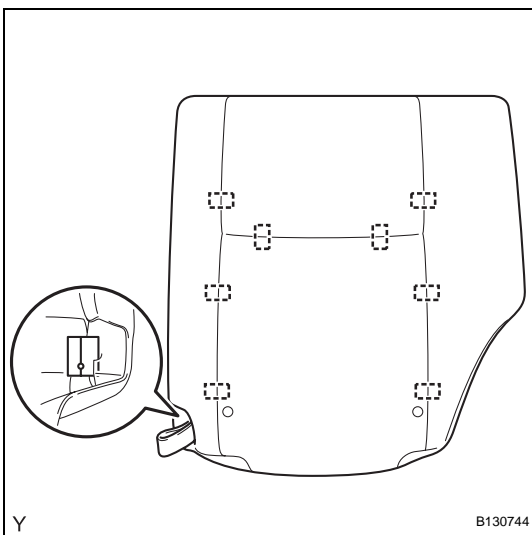
12. REMOVE REAR SEATBACK FRAME SUB-ASSEMBLY

- (a) Remove the rear seatback frame.



13. REMOVE REAR SEATBACK LOCK ASSEMBLY

- (a) Remove the 2 bolts and the rear seatback lock.



14. REMOVE REAR SEATBACK COVER

- (a) Pass the hook of the rear seatback cover through the slit in the rear seatback pad.
 (b) Remove the 8 hog rings and the rear seatback cover.